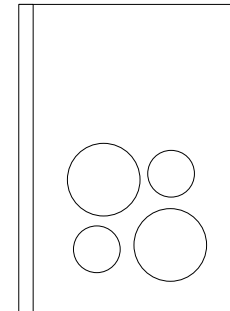


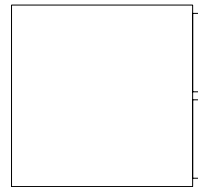
Furniture

Type : Chair
 Classification notation : HH-01
 Classification source : BLIS
 Manufacturer : Acme
 Model ID : A-C-01
 Model name : Standard desk chair
 List of options : black, leather
 Catalog name : www.acme.com/A_C_01.htm



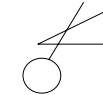
Electrical appliance

Type : Range
 Classification notation : KK-01
 Classification source : BLIS
 Manufacturer : Acme
 Model ID : A-EA-01
 Model name : Standard range



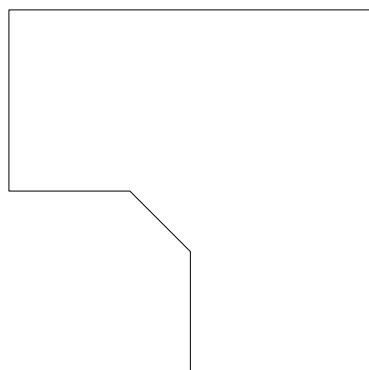
Cabinet

Type : Base Double
 Classification notation : II-01
 Classification source : BLIS
 Manufacturer : Acme
 Model ID : A-C-01
 Model name : Standard double base



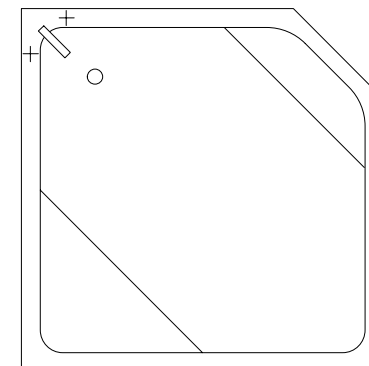
Electrical Fixture

Type : Switch
 Classification notation : LL-01
 Classification source : BLIS
 Manufacturer : Acme
 Model ID : A-SW-01
 Model name : Standard dimmer switch



Counter or shelf

Type : Counter Top
 Classification notation : JJ-01
 Classification source : BLIS
 Manufacturer : Acme
 Model ID : A-S-01
 Model name : Standard counter top



Plumbing fixture

Type : Bathtub
 Classification notation : MM-01
 Classification source : BLIS
 Manufacturer : Acme
 Model ID : A-PF-01
 Model name : Standard bathtub